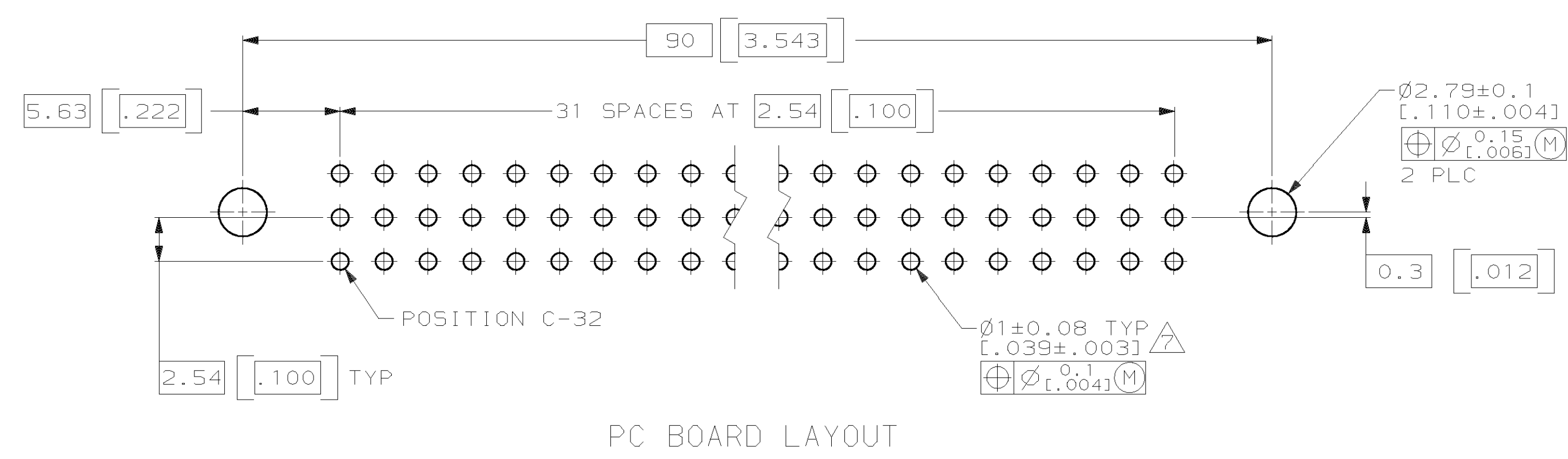
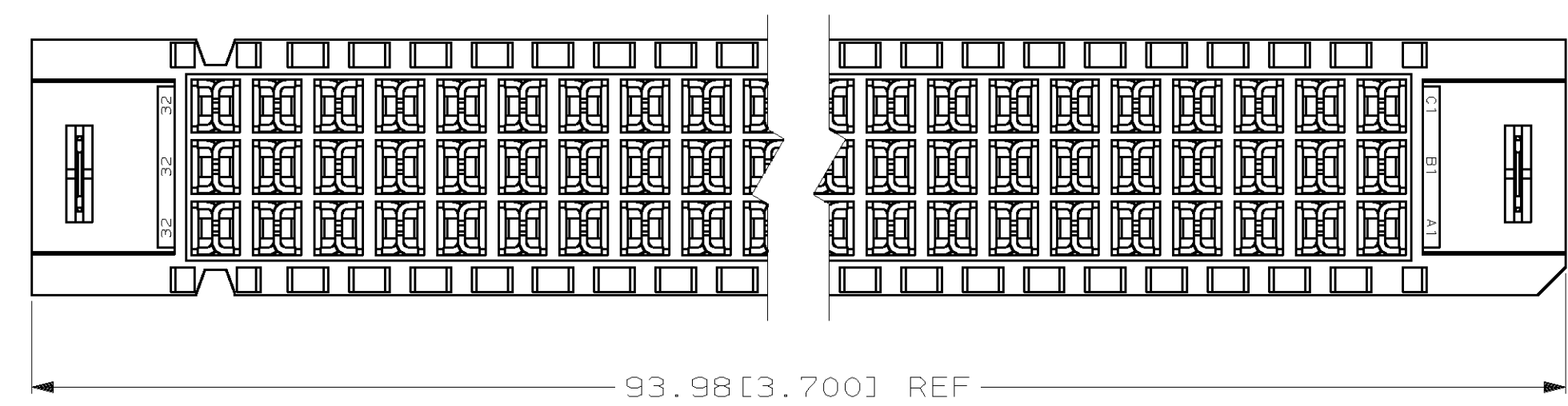
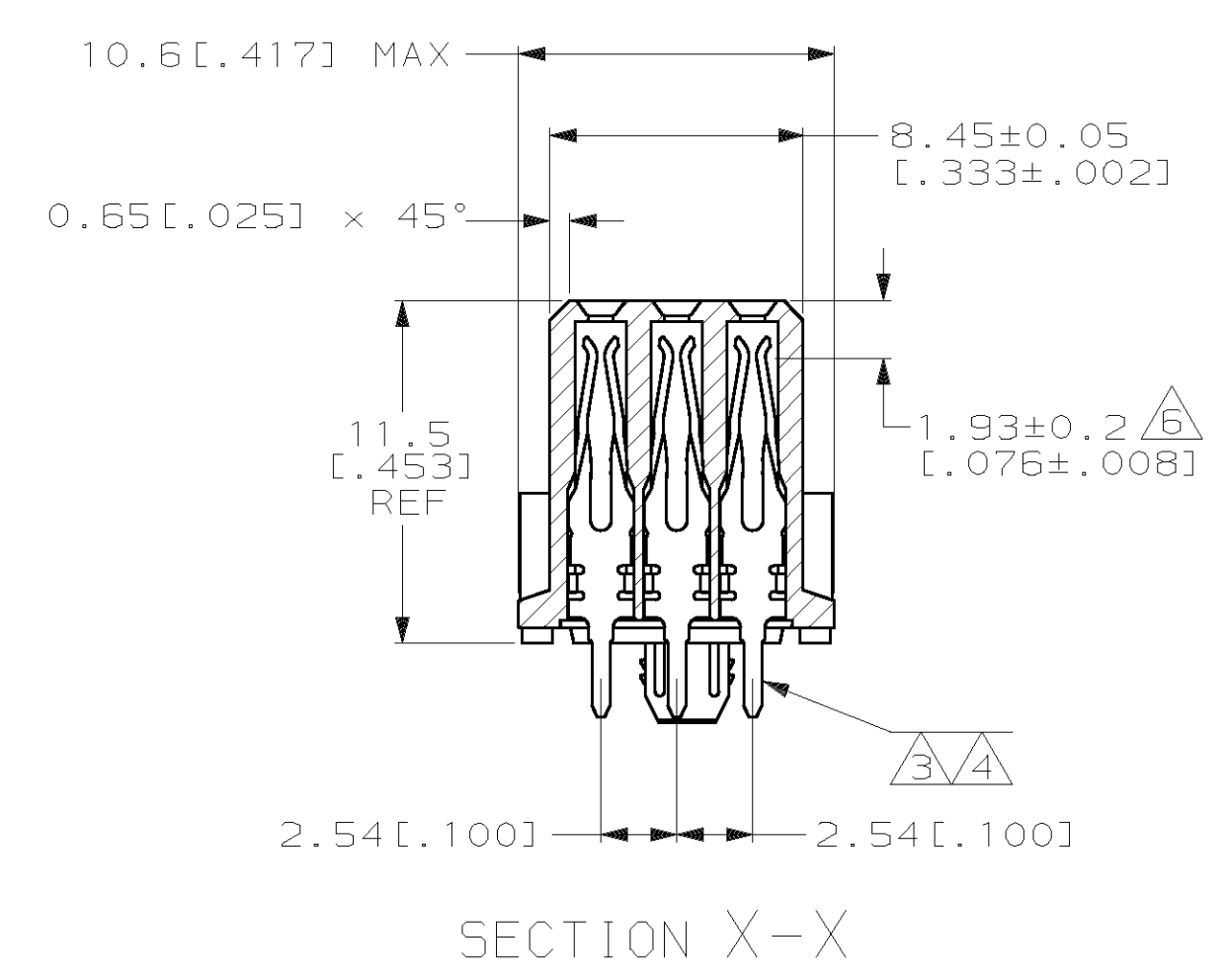
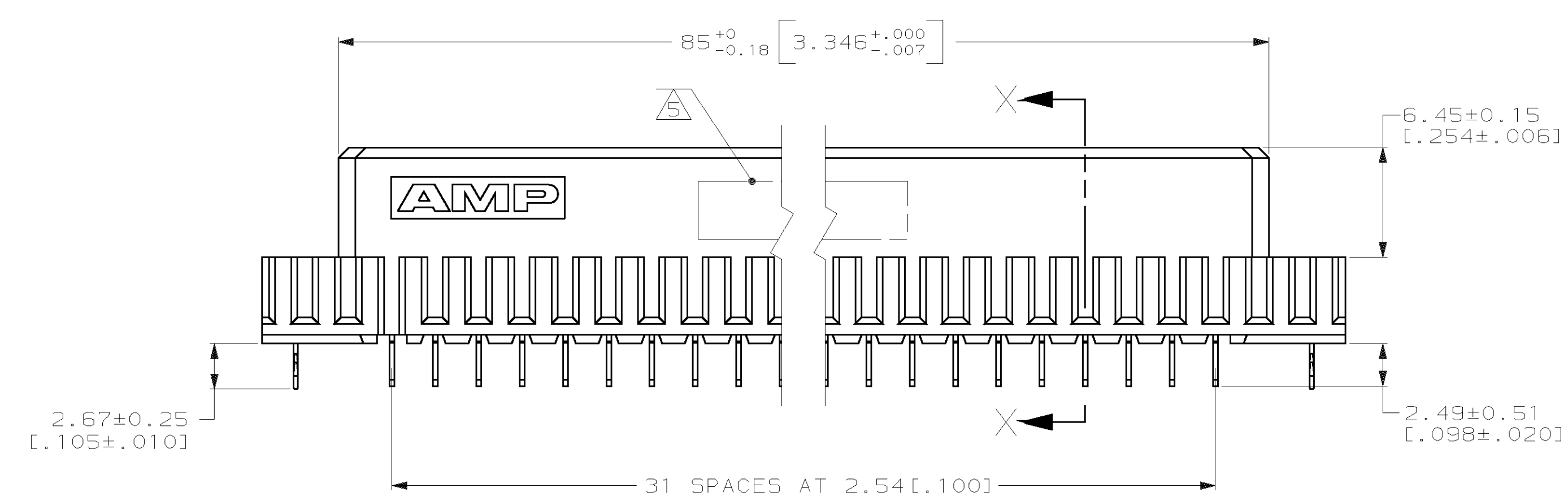
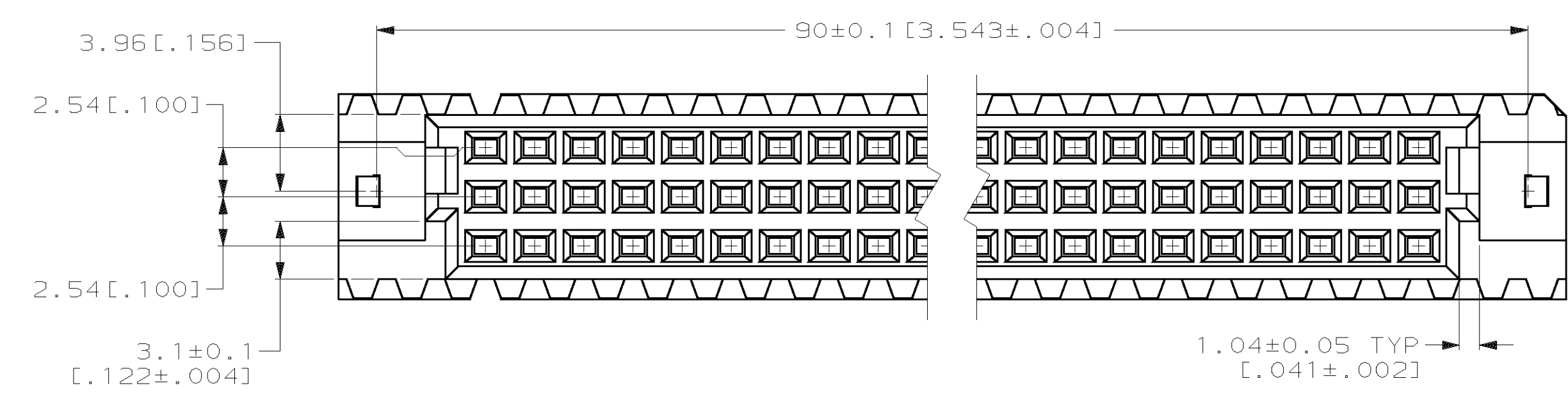


| LOC | DIST | P | F | ZONE | LTR | REVISIONS | DATE | APPD |
|-----|------|---|---|------|-----|---------------------------|-----------|------|
| AD | 25 | | | | | 0 DRAWN | - | - |
| | | | | | | A EC 0010-1241-95 | 11/1/95 | CR |
| | | | | | | B EC 0010-1431-95 | 1/17/96 | RAP |
| | | | | | | C EC 0010-1491-95 | 4/1/96 | CR |
| | | | | | | D REV PER EC 001B-0367-00 | 04 JAN 01 | CR |



- ① HOUSING MATERIAL: GLASS-FILLED POLYESTER. COLOR: GRAY.
- ② CONTACT MATERIAL: PHOSPHOR BRONZE.
- ③ CONTACT FINISH: DIN 41612 CLASS 2 IN CONTACT AREA. TIN-LEAD ON POSTS.
- ④ CONTACT FINISH: DIN 41612 CLASS 3 IN CONTACT AREA. TIN-LEAD ON POSTS.
- ⑤ PART NUMBER, DATE CODE IDENTIFICATION, CSA LOGO IN THIS APPROXIMATE AREA.
- ⑥ CONTACT POINT.
- ⑦ RECOMMENDED HOLE SIZE FOR MANUAL APPLICATION OF CONNECTOR ONTO PC BOARD.

| NOTES | POSITIONS LOADED | C | B | A | NO. OF LOADED POSITION | ASSY PART NUMBER |
|------------------------|------------------|------|---|---|------------------------|------------------|
| OBSELETE | ④ | 1-32 | X | X | X | 96 536418-9 |
| | ③ | 1-32 | X | X | X | 96 536418-5 |
| SUPERSEDED BY 536418-5 | ③ | 1-32 | X | X | X | 96 536418-4 |

| | | | | |
|---|--|---|------------------|----------------------|
| DO NOT SCALE PRINT. UNLESS SPECIFIED DIMENSIONS IN mm [INCHES] TOLERANCES ON: 1 PLC DEC ± - 2 PLC DEC ± 0.13 [.005] ANGLES ± - | DR L. BRINER 10/19/92 CHK R. PATTERSON 10/28/92 APPD R. PATTERSON 10/28/92 APPD D.C. RUBENDALL 10/29/92 | AMP INCORPORATED Harrisburg, Pa. 17105 | | |
| MATERIAL HSG ① CONT ② | PRODUCT SPEC - | NAME RECEPTACLE ASSEMBLY, EUROCARD, TYPE "C" WITH BOARD-LOCKS | | |
| FINISH CONT ③④ | APPLICATION SPEC - | SIZE D | FSCM NO 00779 | DRAWING NO 536418 |
| | WEIGHT - | SCALE 4:1 | SHEET 1 OF 1 | |